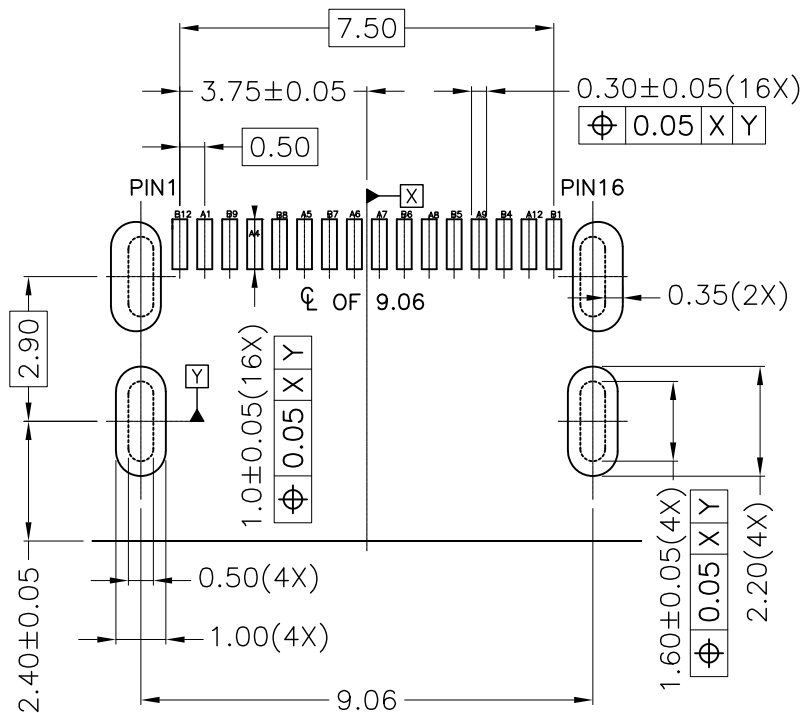
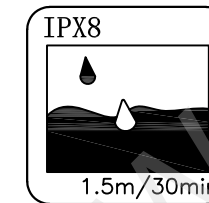


⑧	1	下端子	铜合金C7025 TM03	镀金3U"
⑦	1	上端子	铜合金C7025 TM03	镀金3U"
⑥	1	L/M	PA46	黑色
⑤	1	中隔片	不锈钢SUS301	水洗
④	1	EMI	不锈钢SUS304	电镀镍300"
③	1	内铁壳	不锈钢SUS316	水洗
②	1	密封圈	液态硅胶成型	黑色 NJS1LTMNJ-1005-50A/B
①	1	外铁壳	不锈钢304	电镀500"
⑨	1	胶水	黑色环氧胶	
序号	数量	零件名称	材料	镀层

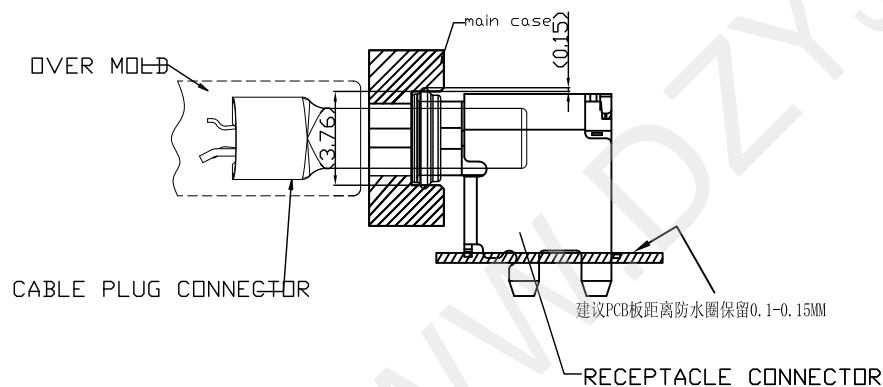
深圳市华宇创精密电子有限公司

TOLERANCE: X.X ±0.30 X.XX ±0.25 X.XXX ±0.15 X.' ±2' X.X' ±0.5'	DRAWN BY : 陈一鸣	DATE : 2014-02-23	PART NAME: USB TYPE C 防水母座16P 板上垫高CH4.8mm 带防水胶圈
	CHECKED BY: 马跃	DATE : 2014-02-23	PART NO. HYC604-USBC16-480
UNIT: mm [inch] SCALE:1:1 SIZE: A4	APPROVED BY: 邱敏	DATE : 2014-02-23	DRAW NO: HYC-2412021032
			SHEET NO. 1 OF 1



RECOMMENDED PCB LAYOUT(TOP VIEW)

PCB THICKNESS 1.72±0.05MM



Notes:

1. ELECTRICAL characteristics:

1-1. Dielectric withstance: 500V AC/1minute.

1-2. Current rating:

Vbus and GND contact: ≥1.25A/pin, Paralleled for a total of 5A Min
Other contacts: ≥0.25A/pin

1-3. Initial LLCR 40mΩ max, after test Δ10mΩ max:

40mΩ MAX. FOR VBUS, GND AND OTHE CONTACTS,
50mΩ MAX. FINAL AFTER TEST.

1-4. Insulation Resistance: 1000MΩ Min

2: Mechanical characteristics

2-1 Insert force: 5~20N MAX.

Withdraw force: 8~20N, after test: 6~20N

2-2 Durability: 10000 cycles min

2-3 Laser point: Height < 0.05mm, Pulling force > 50N

3: Environment characteristics

3-1 Operating temperature: -40~+85°C

3-2 Salty spray: 48hours (EIA-364-26B-B)

4. Burr: 0.05MM MAX.

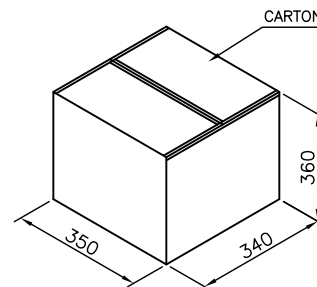
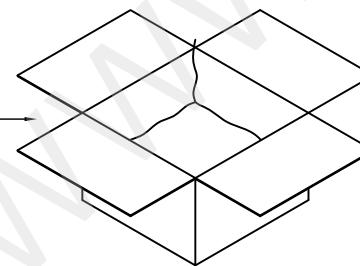
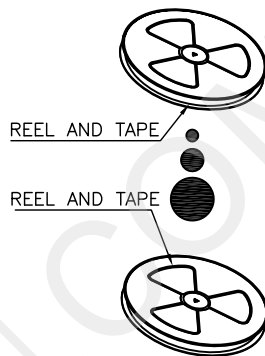
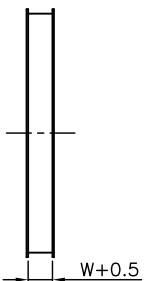
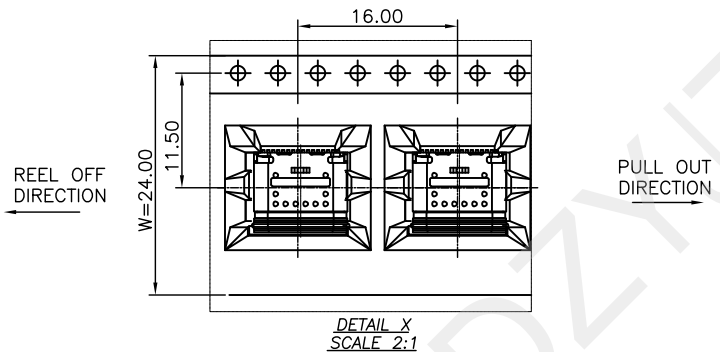
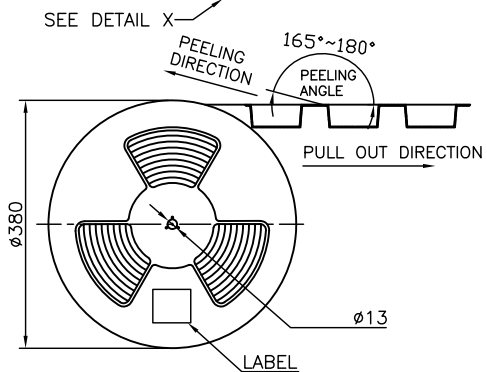
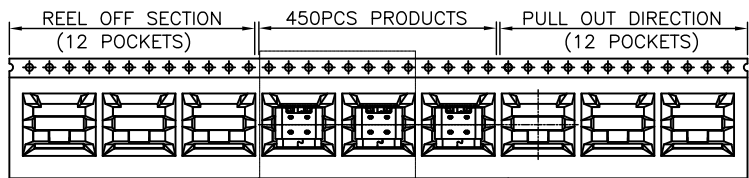
5. Tape and reel packing satisfy EIA-364-481 standard

Pin	Signal	Description	Mating Sequence	Description	Signal	Pin
2	A1	GND	Ground return	Ground return	GND	B12
/	A2	TX1+	/	/	RX1+	B11
/	A3	TX1-	/	/	RX1-	B10
4	A4	VBUS	Bus Power	Bus Power	VBUS	B9
6	A5	CCI	Configuration Channel	Sideband Use(SBU)	SBU2	B8
8	A6	Positive differential pair-Position 1	half of the USB 2.0 differential pair-Position 1	Negative half of the USB 2.0 differential pair-Position 2	D-	B7
9	A7	Negative differential pair-Position 1	half of the USB 2.0 differential pair-Position 1	Positive half of the USB 2.0 differential pair-Position 2	D+	B6
11	A8	SBU1	Sideband Use(SBU)	Configuration Channel	CC2	B5
13	A9	VBUS	Bus Power	Bus Power	VBUS	B4
/	A10	RX2-	/	/	TX2-	B3
/	A11	RX2+	/	/	TX2+	B2
15	A12	GND	Ground return	Ground return	GND	B1



深圳市华宇创精密电子有限公司

TOLERANCE: X.X ±0.30 X.XX ±0.25 X.XXX ±0.15 X' ±2' X.X' ±0.5'	DRAWN BY : 陈一鸣	DATE : 2014-02-23	PART NAME: USB TYPE C 防水母座16P 板上垫高CH4.8mm 带防水胶圈
	CHECKED BY: 马跃	DATE : 2014-02-23	PART NO. HVC604-USBC16-480
UNIT: mm [inch] SCALE: 1:1 SIZE: A4	APPROVED BY: 邱敏	DATE : 2014-02-23	DRAW NO: HVC-2412021032
			SHEET NO. 1 OF 1



	REEL	CARTON
CONNECTOR (PCS)	450	4950



深圳市华宇创精密电子有限公司

TOLERANCE: X.X ±0.30 X.XX ±0.25 X.XXX ±0.15 X' ±2" X.X' ±0.5"	DRAWN BY : 陈一鸣	DATE : 2014-02-23	PART NAME: 包装图	
	CHECKED BY: 马跃	DATE : 2014-02-23	PART NO.	
UNIT: mm [inch] SCALE:1:1 SIZE: A4	APPROVED BY: 邱敏	DATE : 2014-02-23	MOLD NO.	
			DRAW NO:	
			SHEET NO.	1 OF 1